

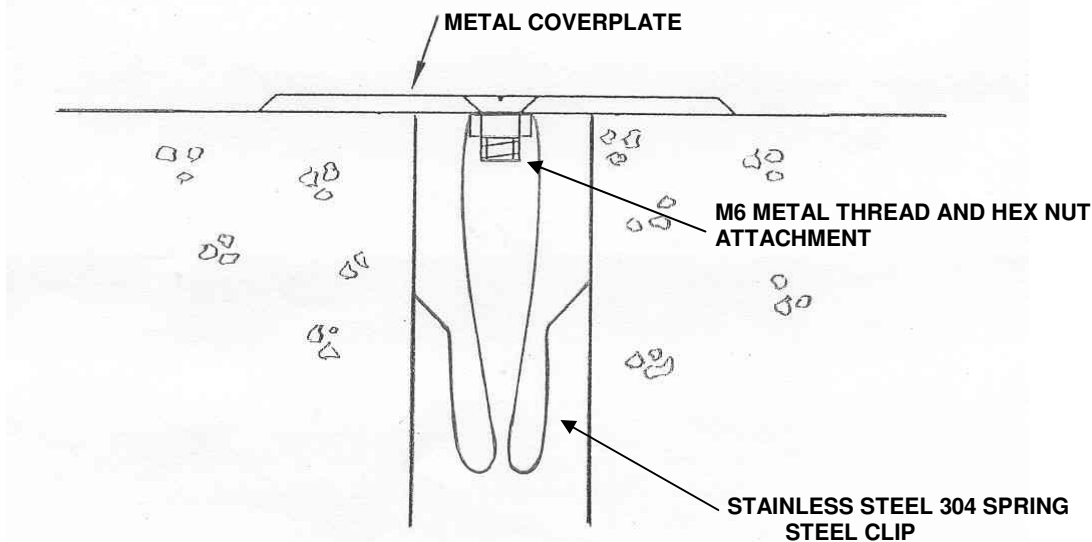
MCC – Miska Coverplate Clip

Description

Miska Coverplate Clip (MCC) allows for standard coverplates to be economically fastened into the expansion joint with specially designed stainless steel grade 304 spring clips.

Features

- ◇ Coverplates can be varied in metal type, widths and thickness depending on loading requirements.
- ◇ Can be designed to suit wall and / or ceiling applications.
- ◇ Brass coverplates are supplied in 3.6m lengths while stainless steel and aluminium come in 2.4m lengths.
- ◇ The clip design allows for the coverplate to be held centrally over the joint.
- ◇ Both horizontal and vertical movements are catered for.
- ◇ The clip has a joint range of 15mm to 60mm and requires an overall depth of 60mm for installation.



Joint Sizes

Type	Joint Width Min mm	Joint Width Max mm	Total Movement mm	Joint Depth mm	Coverplate Width mm	Coverplate Thickness mm	Coverplate Material
MCCA 50	15	40	25	60	50	3	Aluminium
MCCB 50	15	40	25	60	50	3	Brass
MCCS 50	15	40	25	60	50	3	Stainless Steel
MCCA 75	15	60	45	60	75	3	Aluminium
MCCB 75	15	60	45	60	75	3	Brass
MCCS 75	15	60	45	60	75	3	Stainless Steel
MCCA 100	15	60	45	60	100	3	Aluminium
MCCB 100	15	60	45	60	100	3	Brass
MCCS 100	15	60	45	60	100	3	Stainless Steel