

# Tile Trim



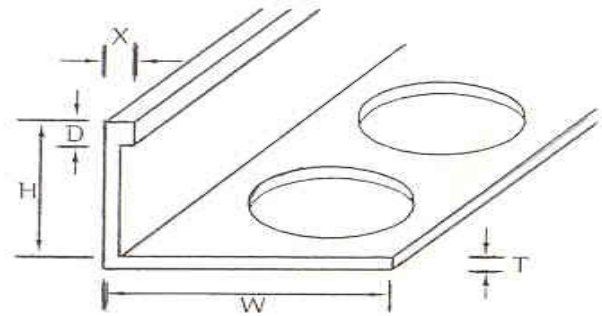
## Tile Trim

### Description

Miska Tile Trims ensure excellent protection against damage to the tile edge and provide a quality finish.

### Features

- ◇ Made from fully hardened brass, aluminium extrusion, or stainless steel.
- ◇ Slotted to provide effective bedding into the tile adhesive.
- ◇ Standard length is 3.6 metre.



Tile Trim

### Joint Sizes

Type	Finish	Height mm (H)	Thickness mm (T)	Width mm (W)	Bulb Width mm (X)	Bulb Height mm (D)
TB8	Brass	8.0	1.5	20	2	2
TB9.2	Brass	9.2	1.5	20	2	3
TB10	Brass	10.0	1.5	20	2	3
TB11	Brass	11.0	1.5	20	2	3
TB12.5	Brass	12.5	1.5	20	2	3
TB15	Brass	15.0	1.5	20	2	3
TB20	Brass	20.0	1.5	20	2	3
TB25	Brass	25.0	1.5	20	3	5
TB33.5	Brass	33.5	1.5	20	1.5	-
TB35	Brass	35.0	1.5	20	3	10
TA6.9	Aluminium	6.9	1.4	21.8	1.4	-
TA7.9	Aluminium	7.9	1.6	20.0	2.6	4
TA9.2	Aluminium	9.2	1.6	20.0	2.6	4
TA10.4	Aluminium	10.4	1.6	20.0	2.6	5
TA12.5	Aluminium	12.5	1.6	20.0	2.6	4
TA13.4	Aluminium	13.4	1.6	20.0	2.6	5
TA15.4	Aluminium	15.4	1.6	20.0	2.6	5
TA18.4	Aluminium	18.4	1.6	25.0	1.6	-
TA23.4	Aluminium	23.4	1.6	20.0	1.6	-
TS10	Stainless Steel	10	0.9	23	1.8	4.5

MISKA™ a Business Unit of ITW CONSTRUCTION SYSTEMS GROUP  
Miska ABN 48 004 297 009

Head Office (Brisbane): 75 Colebard Street West, Acacia Ridge, Qld 4110 Australia. Phone +61 7 3277 7077 Fax +61 7 3277 8858  
Enquiries within Australia (Land Line only): Ph: 1300 663 521 Fax: 1300 663 524